

66505-4 ✓ ACTIVE

AMPLIMITE

TE Internal #: 66505-4

D-Sub Connector Contacts, Socket, Size 20, Phosphor Bronze, Gold Flash, Crimp, 28 – 24 AWG Wire Size, .08 – .2 mm<sup>2</sup> Wire Size, Cable-to-Cable

[View on TE.com >](#)



Connectors > D-Shaped Connectors > D-Sub Connector Contacts > D-Sub Conn Contacts: Socket, Phosphor Bronze, Signal, Size 20



Contact Type: **Socket**

D-Sub Contact Size: **20**

Contact Base Material: **Phosphor Bronze**

Contact Mating Area Plating Material: **Gold Flash**

Termination Method to Wire & Cable: **Crimp**

[All D-Sub Conn Contacts: Socket, Phosphor Bronze, Signal, Size 20 \(58\)](#)

### Features

#### Product Type Features

Product Type	Contact
Grade	Standard
Connector System	Cable-to-Cable
Connector & Contact Terminates To	Wire & Cable

#### Contact Features

	.04 in
Contact Type	Socket
D-Sub Contact Size	20
Contact Base Material	Phosphor Bronze
Contact Mating Area Plating Material	Gold Flash
Contact Current Rating (Max)	1.2 A

#### Termination Features

--



Termination Method to Wire & Cable	Crimp
------------------------------------	-------

### Mechanical Attachment

Contact Retention Type Within Housing	Snap-In
---------------------------------------	---------

Wire Insulation Support	With
-------------------------	------

### Dimensions

Insulation Diameter (Max)	1.02 mm
---------------------------	---------

Accepts Wire Insulation Diameter Range	.76 – 1.02 mm [.03 – .04 in]
--	------------------------------

Wire Size	.08 – .2 mm <sup>2</sup>
-----------	--------------------------

### Usage Conditions

Operating Temperature Range	-55 – 105 °C [-67 – 221 °F]
-----------------------------	-----------------------------

### Operation/Application

For Use With	AMPLIMITE HDP-20, CPC Connectors
--------------	----------------------------------

Circuit Application	Signal
---------------------	--------

### Packaging Features

Packaging Quantity	10000
--------------------	-------

Packaging Method	Reel
------------------	------

### Product Compliance

[For compliance documentation, visit the product page on TE.com>](#)

EU RoHS Directive 2011/65/EU	Compliant
------------------------------	-----------

EU ELV Directive 2000/53/EC	Compliant
-----------------------------	-----------

China RoHS 2 Directive MIIT Order No 32, 2016	No Restricted Materials Above Threshold
---	---

EU REACH Regulation (EC) No. 1907/2006	Current ECHA Candidate List: JUNE 2022 (224) Candidate List Declared Against: JUNE 2022 (224) Does not contain REACH SVHC
--	---

Halogen Content	Low Halogen - Br, Cl, F, I < 900 ppm per homogenous material. Also BFR/CFR/PVC Free
-----------------	---

Solder Process Capability	Not applicable for solder process capability
---------------------------	--

#### Product Compliance Disclaimer

This information is provided based on reasonable inquiry of our suppliers and represents our current actual knowledge based on the information they provided. This information is subject to change. The part numbers that TE has identified as EU RoHS compliant have a maximum concentration of 0.1% by weight in homogenous materials for lead, hexavalent chromium, mercury, PBB, PBDE, DBP, BBP, DEHP, DIBP, and 0.01% for cadmium, or qualify for an exemption to these

limits as defined in the Annexes of Directive 2011/65/EU (RoHS2). Finished electrical and electronic equipment products will be CE marked as required by Directive 2011/65/EU. Components may not be CE marked. Additionally, the part numbers that TE has identified as EU ELV compliant have a maximum concentration of 0.1% by weight in homogenous materials for lead, hexavalent chromium, and mercury, and 0.01% for cadmium, or qualify for an exemption to these limits as defined in the Annexes of Directive 2000/53/EC (ELV). Regarding the REACH Regulation, the information TE provides on SVHC in articles for this part number is based on the latest European Chemicals Agency (ECHA) 'Guidance on requirements for substances in articles' posted at this URL: <https://echa.europa.eu/guidance-documents/guidance-on-reach>

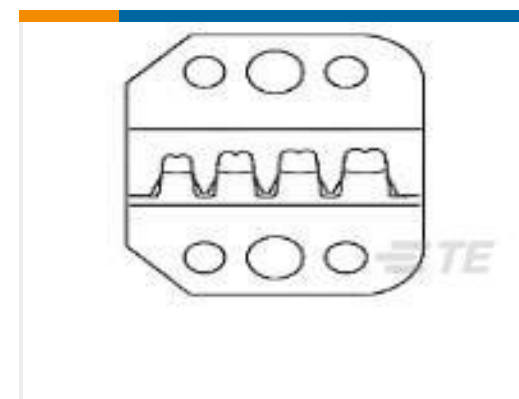
## Compatible Parts



TE Part # CAT-AM71-C83998M  
CPC Connectors, Series 2



TE Part # CAT-AM71-C83998BB  
CPC SERIES 3



TE Part # 58448-3  
PRO-CRIMPER DIE



TE Part # 91503-1  
CCII AMPLIMITE 20 DF PIN SKT 28-20  
ASSY



TE Part # 1579007-9  
EXTRACTION TOOL



TE Part # 58448-2  
PRO CR. ASSY AMPLIMITE IS 9357



TE Part # 2305570-1  
Strip Terminal Cutter-Side Feed-No  
Crimp



TE Part # 91285-1  
INSERT/EXTRACT TOOL ASSEMBLY



TE Part # 2-2151428-1  
OCEAN-2.0-APPLICATOR-S-042F055O



TE Part # 2-2151428-2  
OCEAN-2.0-APPLICATOR-S-  
042F055OA



TE Part # 2151428-1  
OCEAN-2.0-APPLICATOR-S-042F055O



TE Part # 2151428-2  
OCEAN-2.0-APPLICATOR-S-  
042F055OA



TE Part # 2361497-1  
SDE F PIN 32-20 ASSY



TE Part # 2361497-2  
SDE F PIN 32-20 DIE SET



TE Part # 2382051-1  
SDE F HD-20 20-28 AWG ASSY



TE Part # 2382051-2  
SDE F HD-20 20-28 AWG DIE SET



## Documents

### Product Drawings

#### HD 20 DF SOCKET PLTD

English

### CAD Files

#### 3D PDF

3D

#### Customer View Model

[ENG\\_CVM\\_CVM\\_66505-4\\_CP\\_c-66505-4-cp.2d\\_dxf.zip](#)

English

#### Customer View Model

[ENG\\_CVM\\_CVM\\_66505-4\\_CP\\_c-66505-4-cp.3d\\_igs.zip](#)

English

#### Customer View Model

[ENG\\_CVM\\_CVM\\_66505-4\\_CP\\_c-66505-4-cp.3d\\_stp.zip](#)

English

By downloading the CAD file I accept and agree to the [Terms and Conditions](#) of use.

### Datasheets & Catalog Pages

#### Signal Contacts

English

#### AMPLIMITE Subminiature D Connectors - Cable Connectors

English

#### AMPLIMITE Cable Connectors and Shielding Hardware Kits QRG

English

### Product Specifications

#### Application Specification

English

#### Application Specification

English

### Product Environmental Compliance

#### MD\_66505-4\_0703201493\_dmtec

English



[MD\\_66505-4\\_0703201493\\_dmtec](#)

English

---

**Instruction Sheets**

[Instruction Sheet \(U.S.\)](#)

English